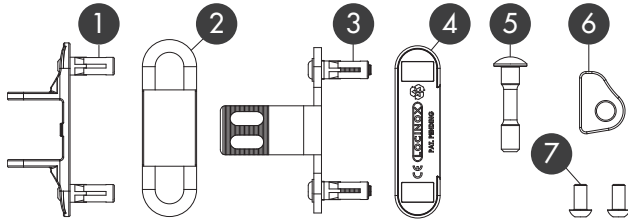


LOCINOX®

Let's make better fences together

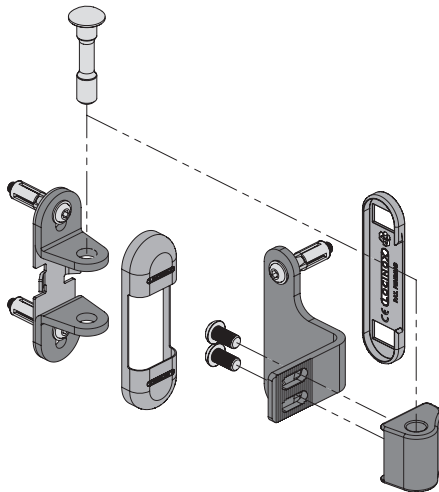
3DM-VP100-P50

① Package content

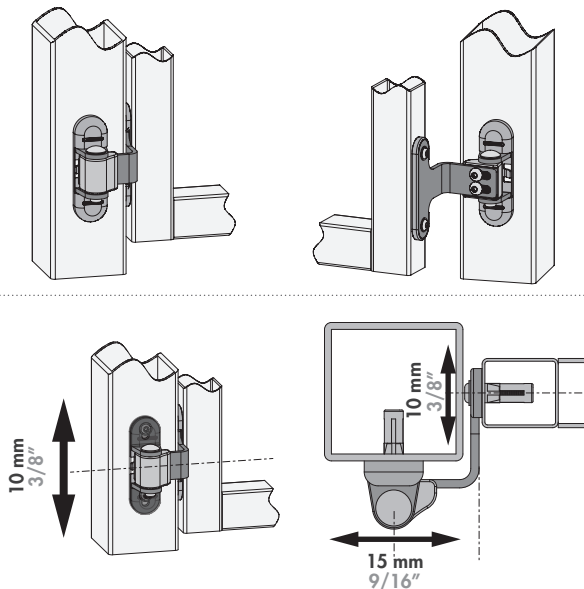


1	Post Bracket	5	Hinge Pin
2	Post Bracket Cover	6	Hinge Holder
3	Hinge	7	Bolt M10x20
4	Gate Bracket		

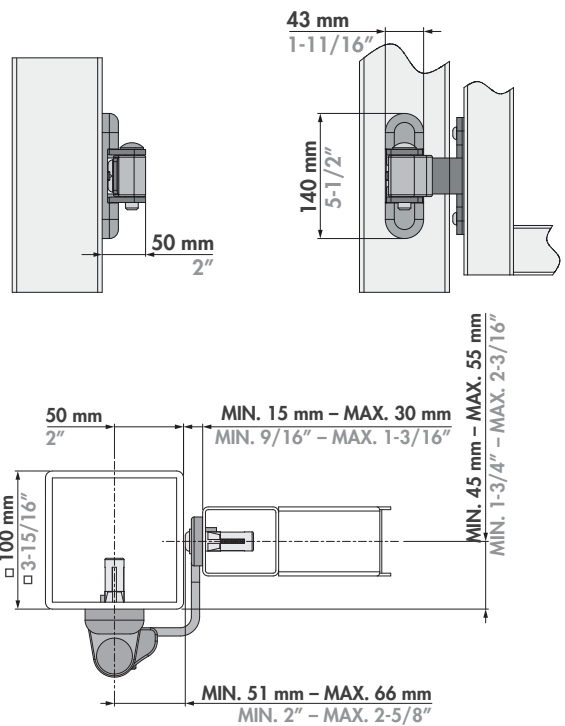
② Explosion



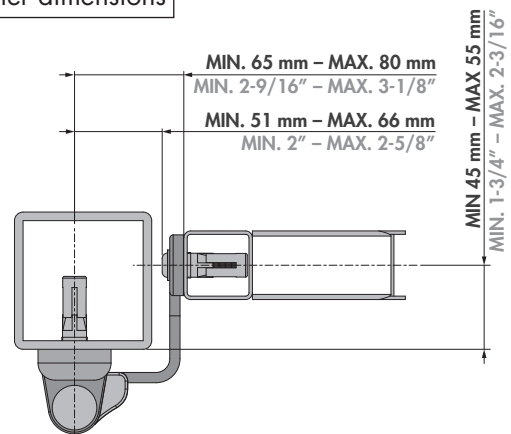
③ Adjustability



④ Dimensions 100mm Post/ 50mm Gate

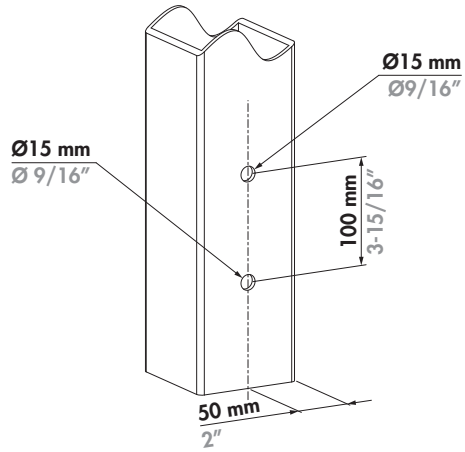


Other dimensions

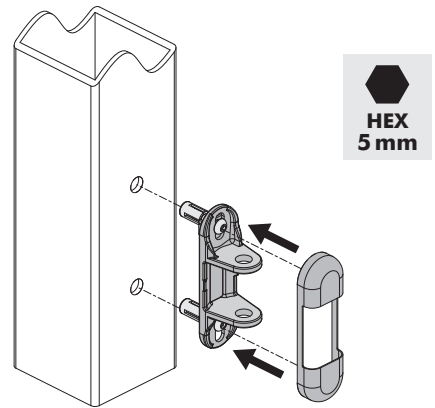


Post installation

⑤

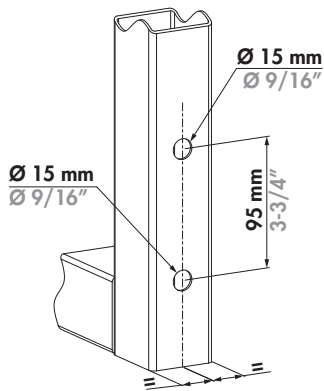


⑥

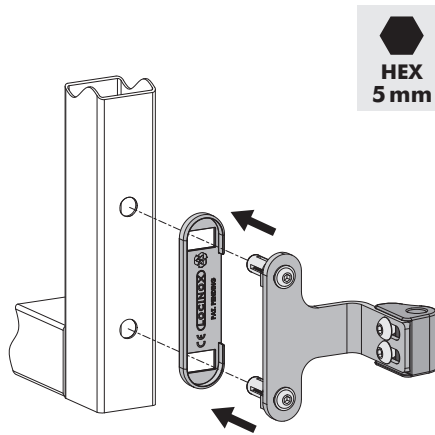


Gate installation

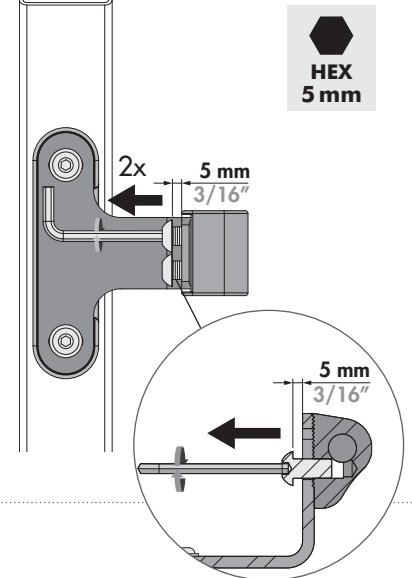
⑦



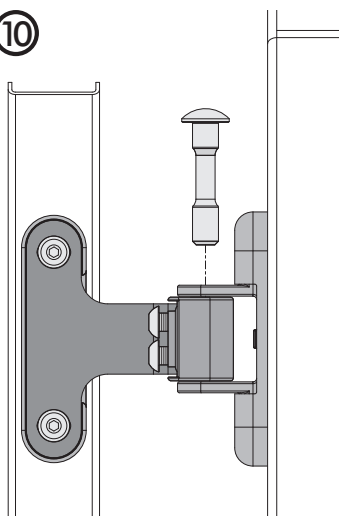
⑧



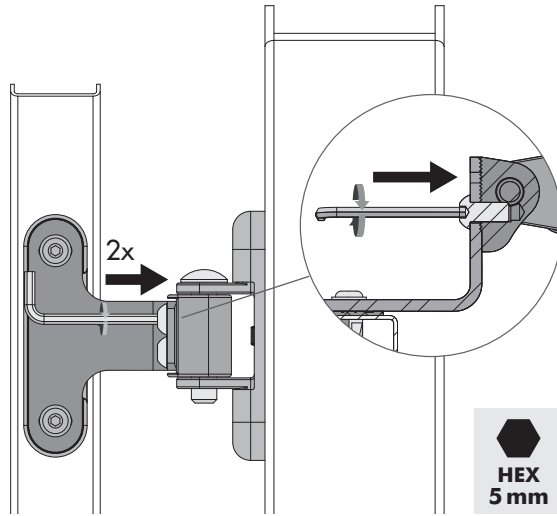
⑨



⑩



⑪



LOCINOX[®]
WWW.LOCINOX.COM

Doc. Nr.: MANU-000031

Locinox nv • Mannebeekstraat 21 • B-8790 Waregem • Belgium - Europe
Tel. +32 (0)56 77 27 66 • Fax. +32 (0)56 77 69 26 • E-mail: locinox@locinox.com

